

MAISON VALENTINA®

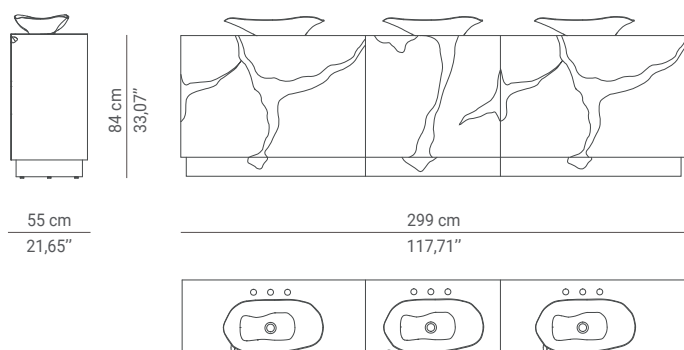
LUXURY BATHROOMS

BATHTUBS WASHBASIN CASEGOODS LIGHTING UPHOLSTERY SURFACE ACCESSORIES



LAPIAZ | VANITY CABINET

Lapiaz was inspired by the typical karst formations produced by the dissolution of limestone rocks, the Lapiaz Washbasin is a statement product that will stand out in your bathroom interior design! A polished brass tear enhances its rich aesthetic as well as a set of one door and two drawers finishes in poplar root veneer.



DIMENSIONS

WITH: 299 cm | 117,71"
DEPTH: 55 cm | 21,65"
HEIGHT: 84 cm | 33,07"

MATERIALS

High gloss black lacquered wood, Coated with walnut wood veneer;
Polished brass tears, High gloss varnish;
Inside: Poplar Root Veneer;
Base: Polished brass;
Sink: Casted brass.

PACKAGING

DIMENSIONS: W.305 cm | 120,07" D.61 cm | 24" H. 101 cm | 39,76"
VOLUME: 1,87 m³ | 66,03 ft³
WEIGHT: 200 kg | 440,92 lb

LEAD TIME

Production time is between 8 to 10 weeks for MAISON VALENTINA collections.
Delivery time is not included.
All of our furniture can be made to measure and it is available in different finishes.
Please note that the colours and materials shown are for reference only. Small variations may occur.